

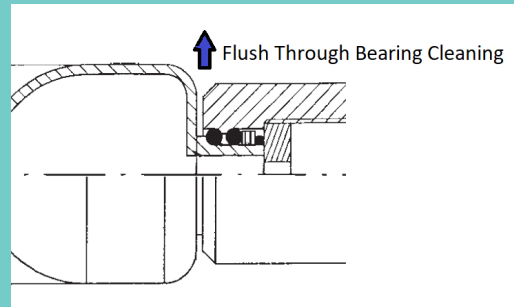
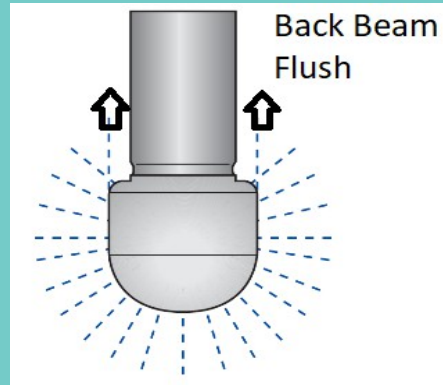


Unique Design

- Extended life time
- Optimized clean-ability
- Low water consumption
- Vertical and horizontal mounting

Express Rotating Stream Nozzle

Proven design optimized for clean-ability and reduced down time



Back Beam Flush[®] cleans the in-feed tube.

Lubrication and cleaning from internal Flush

Through[®] fluid flow

RM SP

The Ultimate CIP solution for the pharmaceutical industry



- Made from solid Stainless Steel AISI 316 material
- Integrated double row ball bearings
- PTFE fluid flow control rings

Water Consumption [l/h]

EX 100-360

EX 200-360

| Type No EX-Sp- | Inlett Diam. [mm] | Water Pressure [bar] | | | | |
|-------------------|-------------------------|----------------------|-------|-------|-------|-------|
| | | 1 | 2 | 3 | 4 | 5 |
| 100-4 | ø4 | 1250 | 1480 | 1700 | 1880 | |
| 100-5 | ø5 | 1770 | 2000 | 2200 | 2430 | |
| 100-6 | ø6 | 2540 | 2930 | 3250 | 3540 | |
| 100-7 | ø7 | 3020 | 3500 | 3890 | 3890 | |
| 200-7 | | 3300 | 3700 | 4150 | 4150 | 4900 |
| 100-8 | ø8 | 3430 | 4090 | 4600 | 5100 | |
| 200-8 | | 3900 | 4350 | 4900 | 5400 | 5800 |
| 200-9 | ø9 | 4750 | 5400 | 6100 | 6650 | 7100 |
| 200-10 | ø10 | 5550 | 6350 | 7100 | 7700 | 8300 |
| 200-11 | ø11 | 6600 | 7600 | 8400 | 9200 | 9900 |
| 200-12 | ø12 | 7500 | 8700 | 9600 | 10500 | 11300 |
| 200-13 | ø13 | 8300 | 9600 | 10600 | 11700 | 12500 |
| 200-14 | ø14 | 9500 | 11000 | 12200 | 13300 | 14200 |

“Up to 33.000 hours use in 6 years reported with 200 start/stops pr day”

Our track history is fantastic. Over the years our customers has saved money from reduced down time and production in a clean environment.

Typical applications

Tanks, and Vessels

Food / pharmaceutical process equipment

Various CIP applications

[Contact Us](#)

RM Sp A/S
Møllersmindevej 28
DK-8763 Rask Mølle

Tel.: +4575679069
Email: rmspaantagning@mail.dk

www.rmspaantagning.dk

All in house production

We are flexible and able to meet most customer requirements for connections to water supply pipes